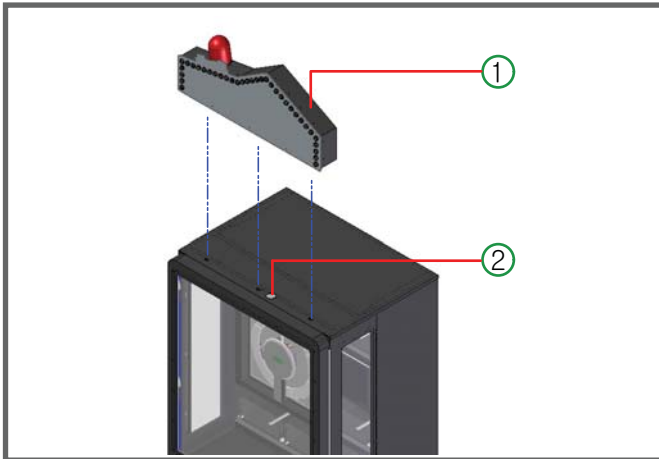


HOW TO INSTALL BILLBOARD & BUTTON PLATE

- BILLBOARD

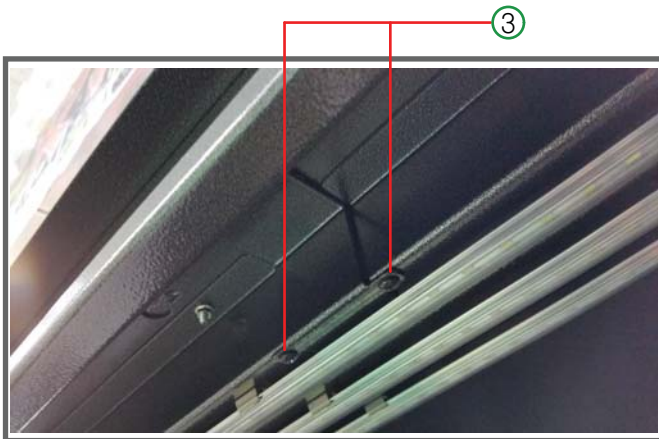
1



- After lifting up the ① billboard to the top of the cabinet, fix the billboard using 3 spots with M6 bolt.

When fixing the billboard, push the connector into the hole of ②

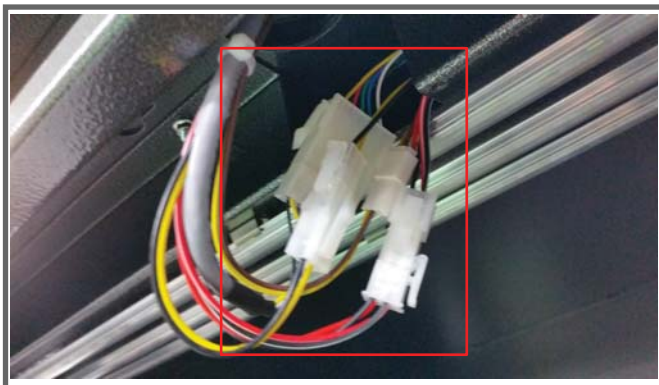
2



- After that, you will find ③ main cabinet support cover brackets when you open front door.

Please disconnect M4 bolts in 2 spots using a tool.

3



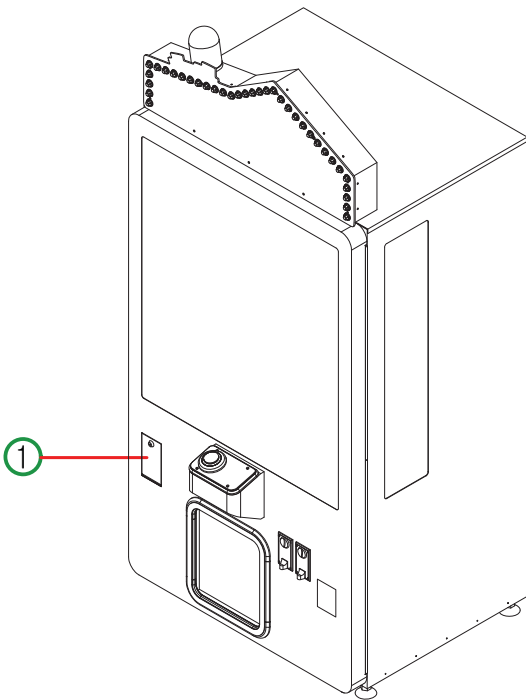
- After disconnecting M4 bolts, please connect the billboard connector with cabinet connector as shown in the photo.

4

- After re-assembling the ③ main cabinet support cover brackets, The installation of billboard will be finished.

- BUTTON FRAME

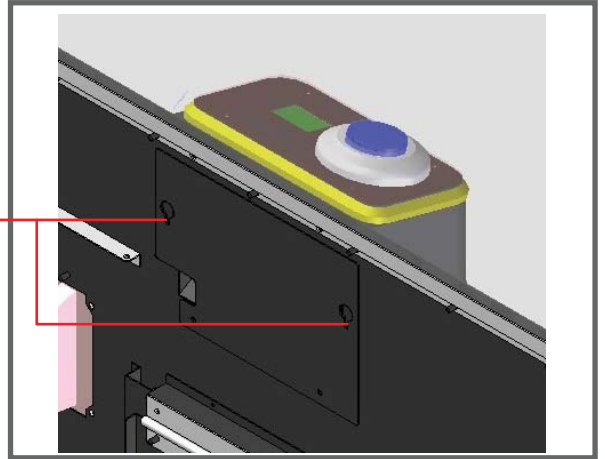
1



- ① Open door using door key.

2

②



* BUTTON FRAME PART +
FRONT DOOR BUTTON CASE REAR COVER

- After fasten bolt in Button panel Ass'y, hang it on cabinet using holes (2Ea: ②). Then fasten rest of bolts (M4 bolt x 4Ea). Connect main connector with cable from button panel ass'y.

3



- Complete the Ass'y as shown picture.